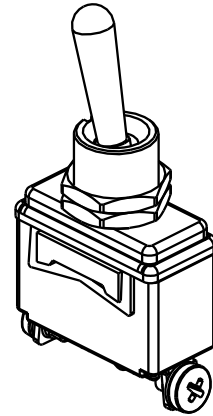
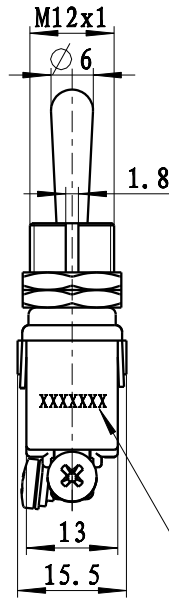
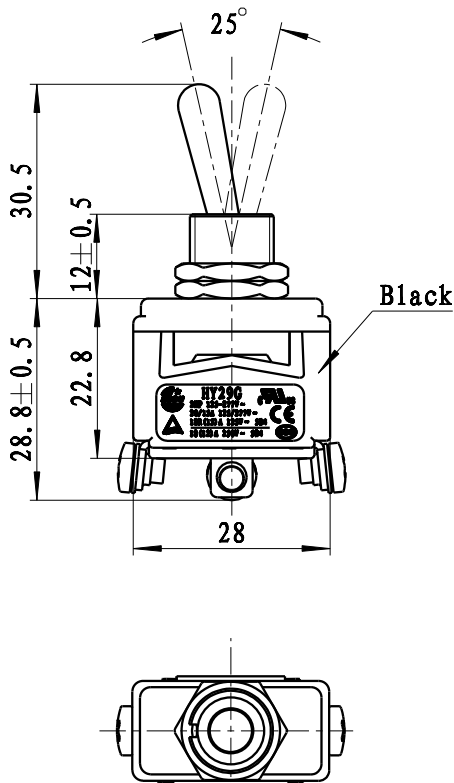


1131020028

Rejigger Index

REV.	Mark	Qty	Verified	Content	Description	Verified /Date	Rejigger /Date

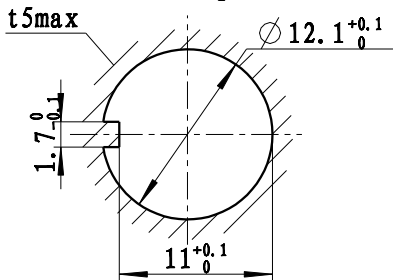


Manufacturing Date
 XXXXXXXX
 — Week
 — Year
 — Workshop
 e. g. 02A1915

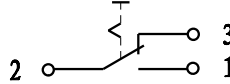
Certificate And Rating

EN 61058-1	GB 15092.1	UL 1054	UL 61058-1
18 (12) A 250V ~ 5E4	18 (12) A 250V ~ 5E4	20/15A 125/277V ~ 2HP 125-277V ~ 6E3	18R (15) A 125V ~ 5E4

Mounting Size



Circuit Diagram



Technical Requirements

1. KEDU Product Model: HY29G;
2. Certificate and rating See table;
3. Protection degree: IP40;
4. Function: ON-ON;
5. Directive/Regulation: RoHS;
6. Screw in torque: 0.7 ~ 0.9N · m.

Tolerance Not Marked

Basic Dimension	>0 ~ 6	>6 ~ 30	>30 ~ 120	>120 ~ 300
Tolerance	± 0.1	± 0.3	± 0.5	± 1

ASSEMBLE OUTLINE

KEDU ELECTRIC

Signature

Designed by	黄泽旭	20210330	Standardization	王思琦	20210401
Collated by	黄邦然	20210330	Examined by	陈晓微	20210401
Checked by	陈亚	20210401	Drawn by	黄泽旭	20210401
Technics			Approved by	李子平	20210402

Phase Mark REV. Scale

S A 1:1
 Current Page Total Page

113102012
 Toggle Switch

1131020028

Common use register
 Drawing
 Collation

Old Bottom Drawing No.

Bottom Drawing No.

Date